



深圳市能點科技有限公司

SHENZHEN EPT TECHNOLOGY CO., LTD.

規格書

**SPECIFICATION**



**FS-IR1901D**

一體式單點光電式液位感測器

Single-point photoelectric level sensor



版本 Version : **A**

日期 Date : **2018.09.18**

[www.eptsz.com](http://www.eptsz.com)

Email: [isdsales01@eptsz.com](mailto:isdsales01@eptsz.com)

## 目錄頁/Table of Content

1. 修訂記錄/Revision History
2. 應用領域/Application
3. 產品特徵/General Features
4. 電氣參數特性/Electrical Specification
5. 推薦應用電路/Recommended Application Circuit
6. 應用及檢測/Application & Detection
7. 尺寸和推薦安裝/Outline Drawing and Recommended installation

### 1.修訂記錄/Revision History



本規格書為相應產品作業之標準，在客戶確認後，會作為生產、供貨的依據。如有特殊要求，可告知联系你的市场部人员，并出具承认书。

This specification is the standard for the operation of the corresponding products. It will be used as the basis for production and supply after confirmation by the customer. If you have special requirements, please contact our sales and issue an acknowledgement.



熱水器/Water heater

加濕器/Humidifier

醫療設備/Medical devices or equipment

需要偵測液體的電器，設備等/Electrical appliances and equipment's etc. requiring liquid-level control

### 3. 產品特徵/Product features

無機械運動部件、可靠性高

No mechanical moving components and with high reliability

體積小、成本低

Small in size and low in cost

液位控制精度高

High liquid level control precision and can be installed from any direction

符合 RoHS 要求

The sensor itself satisfies RoHS requirements

防水等級 IP67

Waterproofing standard IP67

### 4. 電氣參數特性/ Electrical Specification (Ta=25°C)

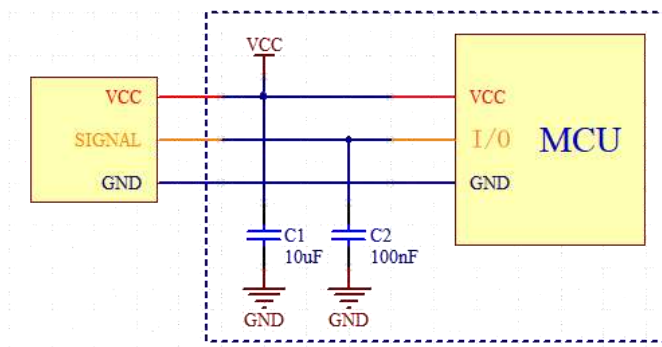
參數/Parameter	符號/Symbol	條件/Condition	最小值/Min	典型/Typ	最大值/Max	單位/Units	
直流特性/direct-current characteristic	工作電壓/Working Voltage	VDD	4.5	5	5.5	V	
	電流/current	IDD	VDD = 5V 有水狀態/in water	10	15	20	mA
			VDD = 5V 無水狀態/in air	15	20	25	mA
	消耗功率 power consumption	PD	VDD = 5V 有水狀態/in water	50	75	100	mW
VDD = 5V 無水狀態/in air			75	100	125	mW	
輸出特性/output characteristic	有水狀態輸出電壓/output voltage in water	VO1	VDD = 5V Ta = 25°C	—	<0.30	—	V
	無水狀態輸出電壓/output voltage in air	VO2	VDD = 5V Ta = 25°C	—	>4.6	—	V
	輸出源電流/output current	IOL	VDD = 5V Ta = 25°C	—	10	—	mA
	輸出灌電流/output current	IOH	VDD = 5V Ta = 25°C	—	10	—	mA
	響應時間/response time		VDD = 5V Ta = 25°C	—	100	—	uS
極限值/limit value	工作溫度/Operating Temperature	Topr	VDD = 5V	-20	—	65	°C
	儲存溫度/Storage Temperature	Tstg	—	-40	—	85	°C
	工作壽命/Working Time	Wt	VDD = 5V Totg = 25°C	—	50000	—	h
	壓力範圍/pressure range			-10	5	10	bar

### 5. 推薦應用電路/Recommended Application Circuit



本規格書為相應產品作業之標準，在客戶確認後，會作為生產、供貨的依據。如有特殊要求，可告知联系你的市场部人員，并出具承诺书。

This specification is the standard for the operation of the corresponding products. It will be used as the basis for production and supply after confirmation by the customer. If you have special requirements, please contact our sales and issue an acknowledgement.



## 6. 應用及檢測/Application & Detection

將液位感測器按下述方式之一安裝，再將其按如上電路連接，信號端將輸出與水位狀況一致的電壓信號，此信號作為液位感測器高度控制信號接入 MCU (單片機) I/O 埠，當液位超過臨界液位而淹沒感測器本體時，此時信號輸出為低電壓，當液位低於臨界液位而顯露感測器本體時，此時信號輸出為高電壓，具體參數如上表所示。

Install level sensor according to one of the mentined modes and connect it according to above circuit, the signal end will output voltage signal consistent with the water level, the signal will be accessed to MCU or I/O port. When the level is over the critical level and the sensor body is submerged, output signal is low vottage; When the level is below the critical level and the sensor body is exposed, output signal is high voltage. Please refer to specific parameters as above table.

### 注意：

1. 長期使用過程中，感測器表面因液體雜質產生污垢，輕微的污垢不會影響到感測器的效能，如有嚴重的污垢產生，導致感測器整體覆蓋，則需要提前告知特殊性，以便我方技術部做優化處理。
  2. 感測器在陽光直射下會受到干擾，請安裝在避免陽光照射的位置內。
  3. 感測器安裝在透明水箱會受到干擾，請避免安裝在透明水箱上。
1. In the long-term of using, the surface of the sensor is dirty due to liquid impurities, slight dirt will not affect the performance of the sensor. If dirt would cover all the surface of sensor, please inform us the particularity in advance, our technical department can optimize the treatment.
  2. The sensor will be effected when exposed to direct sunlight. Please install it away from direct sunlight.
  3. The sensor installed in the transparent water tank will be disturbed. Please avoid installing it on the transparent water tank.

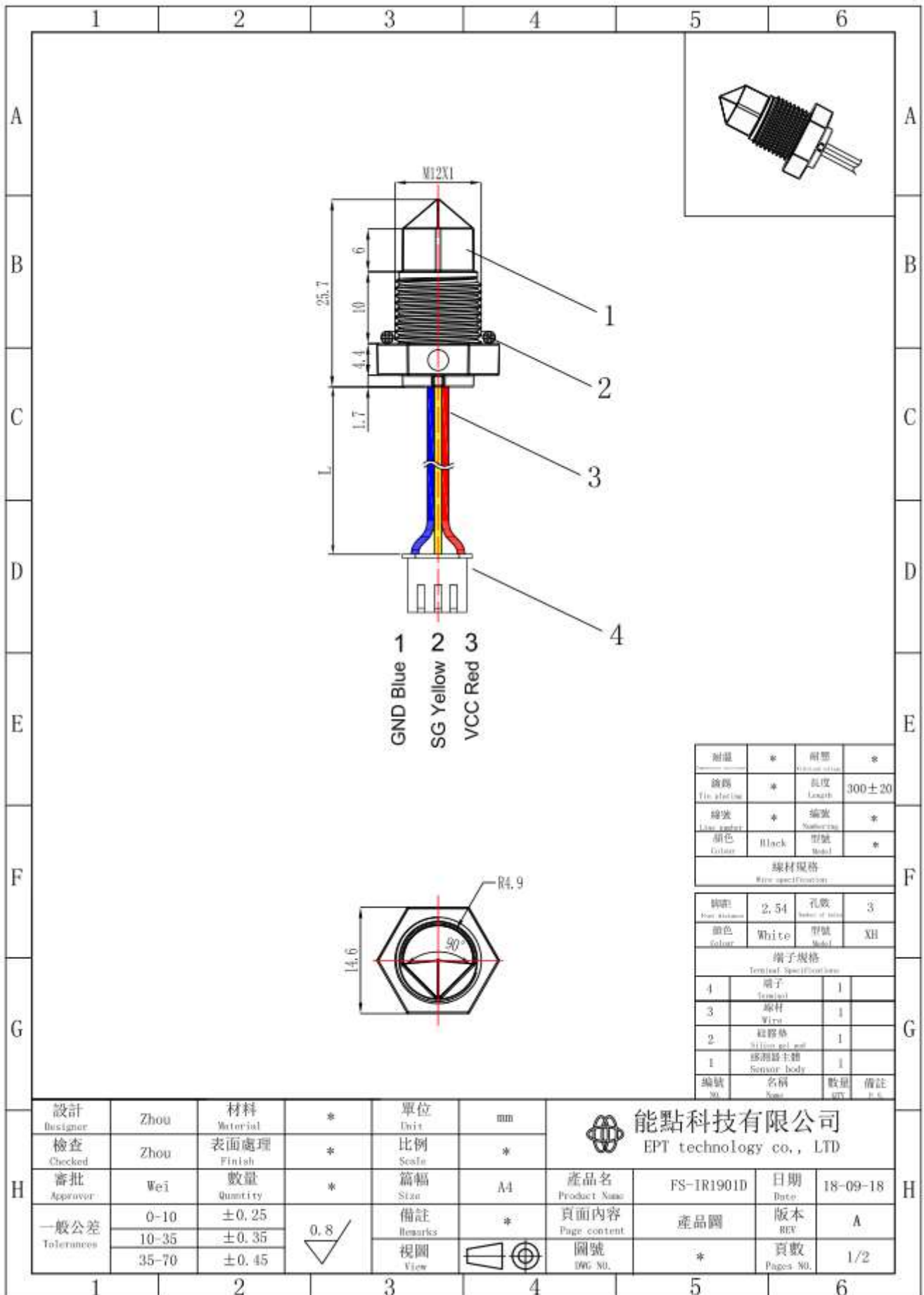
## 7. 尺寸和推薦安裝/Outline Drawing and Recommended installation



本規格書為相應產品作業之標準，在客戶確認後，會作為生產、供貨的依據。如有特殊要求，可告知联系你的市场部人员，并出具承认书。

This specification is the standard for the operation of the corresponding products. It will be used as the basis for production and supply after confirmation by the customer. If you have special requirements, please contact our sales and issue an acknowledgement.

# 能點科技有限公司 EPT TECHNOLOGY CO., LTD.



耐溫	*	耐濕	*
鍍層	*	長度	300±20
線寬	*	編號	*
顏色	Black	型號	*

線材規格  
Wire specification

線徑	2.54	孔數	3
顏色	White	型號	XH

端子規格  
Terminal Specifications

4	端子	1	
3	導柱	1	
2	矽膠墊	1	
1	感測器主體	1	
編號	名稱	數量	備註

設計	Zhou	材料	*	單位	mm
檢查	Zhou	表面處理	*	比例	*
審批	Wei	數量	*	篇幅	A4
一般公差	0-10	±0.25	0.8	備註	*
	10-35	±0.35			
	35-70	±0.45			
				視圖	

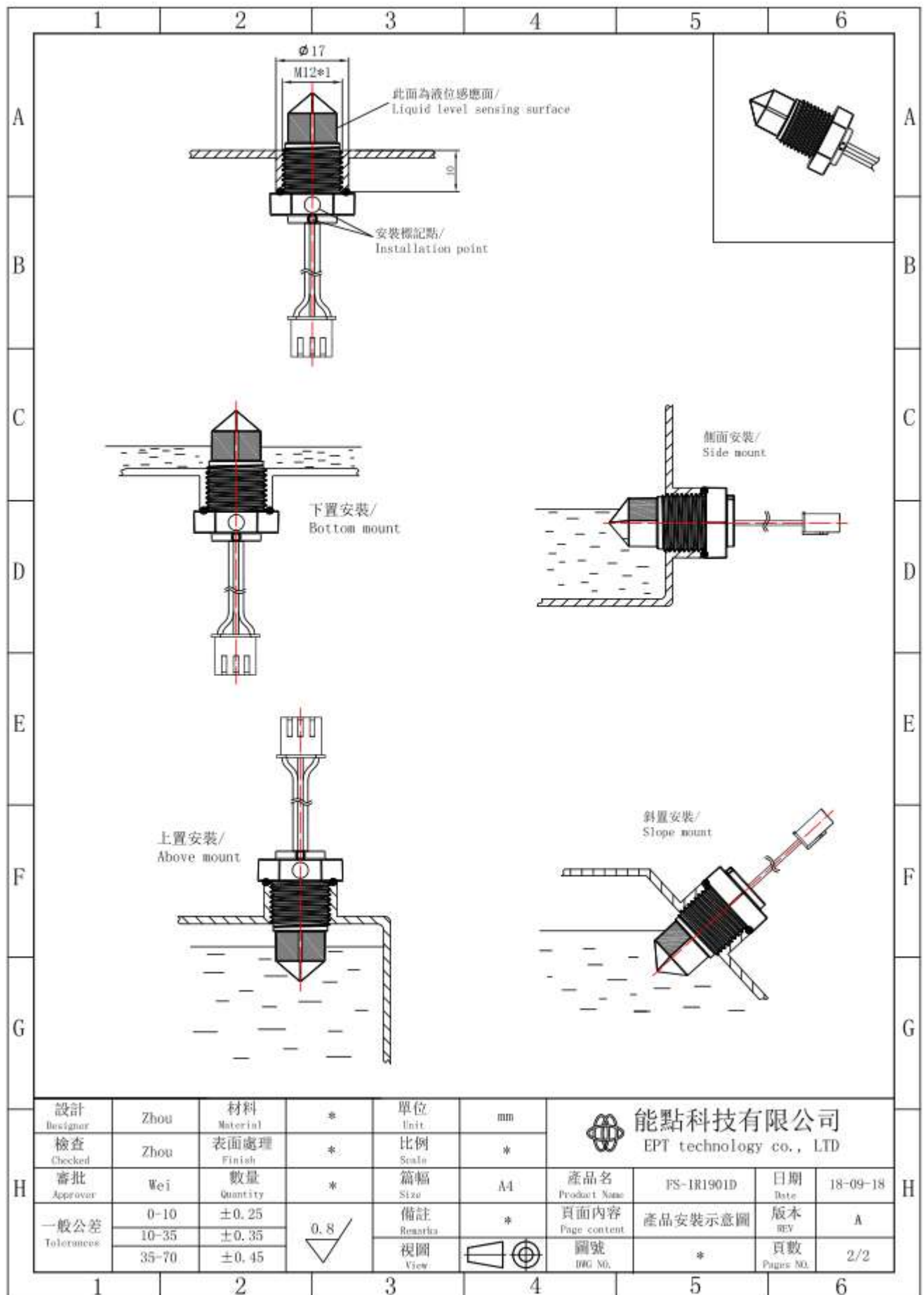
**能點科技有限公司**  
EPT technology co., LTD

產品名	FS-1R1901D	日期	18-09-18
頁面內容	產品圖	版本	REV A
圖號	*	頁數	1/2



本規格書為相應產品作業之標準，在客戶確認後，會作為生產、供貨的依據。如有特殊要求，可告知联系你的市场部人员，并出具承诺书。  
This specification is the standard for the operation of the corresponding products. It will be used as the basis for production and supply after confirmation by the customer. If you have special requirements, please contact our sales and issue an acknowledgement.

# 能點科技有限公司 EPT TECHNOLOGY CO., LTD.



本規格書為相應產品作業之標準，在客戶確認後，會作為生產、供貨的依據。如有特殊要求，可告知联系你的市场部人员，并出具承诺书。

This specification is the standard for the operation of the corresponding products. It will be used as the basis for production and supply after confirmation by the customer. If you have special requirements, please contact our sales and issue an acknowledgement.